



**E-TRUCKS EUROPE**

*driven by hydrogen*

# **Presentation**

May 17, 2022

Annelies van Hulsel

- E-Trucks Europe since 2010,
- R&D and production in Belgium
- Hydrogen Experience Center in the Netherlands
- Business:  
Development, production and supply of hydrogen trucks with an energy consuming superstructure



Site Lommel, Belgium

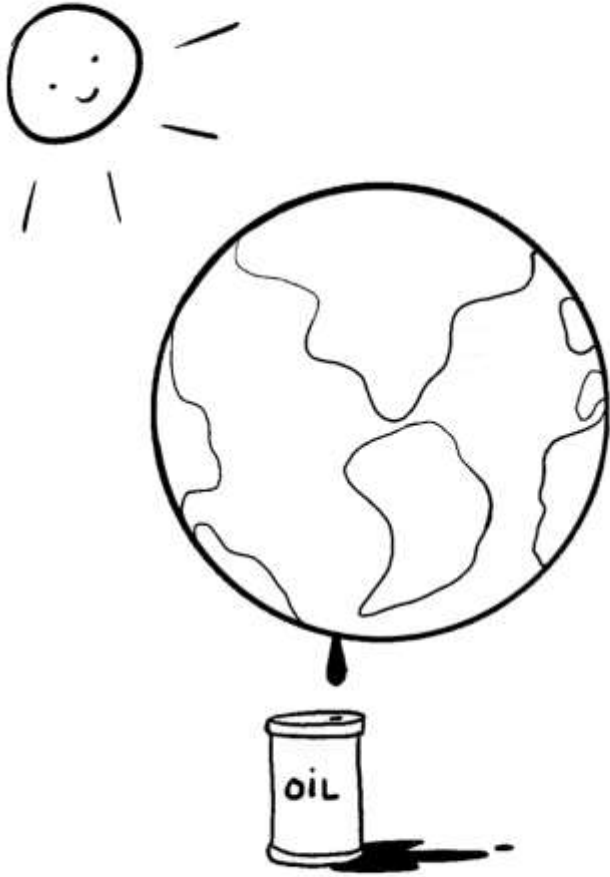


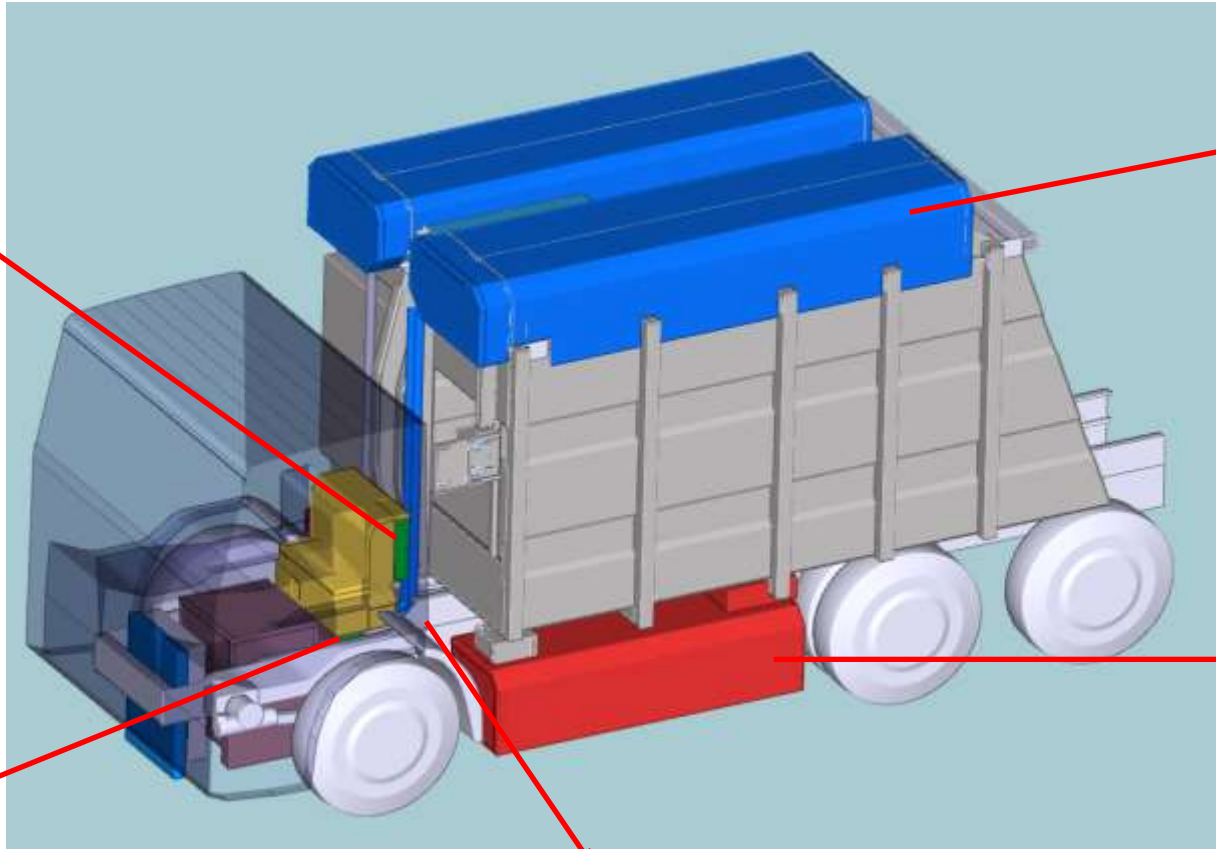
Site Westerhoven, the Netherlands



## Our workshop in Lommel







Auxiliaries

Hydrogen storage  
type 3 tanks  
Refueling 350 BAR

On superstructure  
2 tanks of 7,5 kg  
4 tanks of 7,5 kg  
Behind the cabine  
4 tanks of 5 kg

Fuel Cell Module  
30 kW or 45 kW

Traction engine  
1200 Nm torque

Battery package  
136 kWh  
Voltage: 580-720V  
Charging:  
32A connector

# Our hydrogen trucks



## Our further scope of hydrogen trucks





## Chain collaboration Benelux



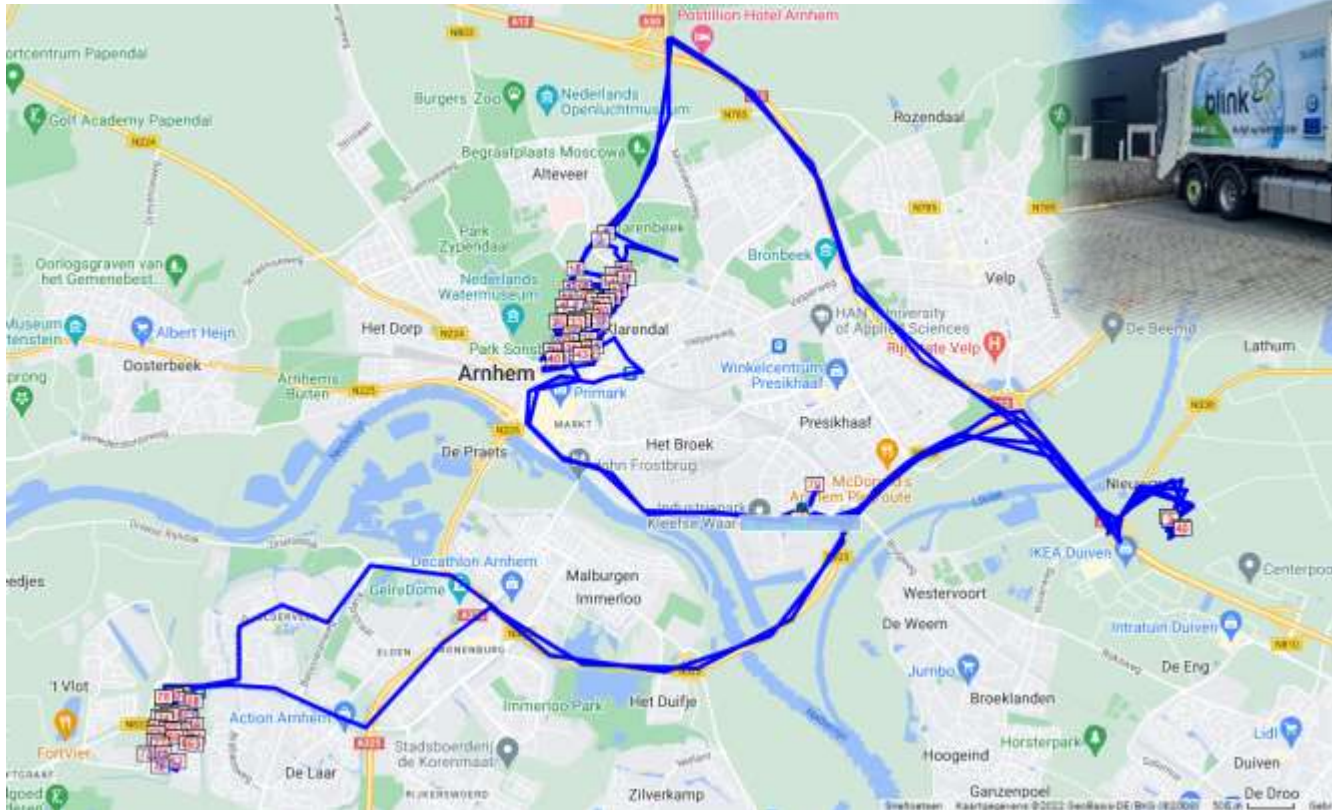


## **Close collaboration with our clients and their regular suppliers**

- DAF chassis and any body from your regular supplier
- Service and maintenance
- Information in our Hydrogen Experience Center
- Training of drivers and mechanics with certificate
- Driving experiences
- Guided tours in our workshop in Lommel
- Distance support by smartphone, tablet etc.

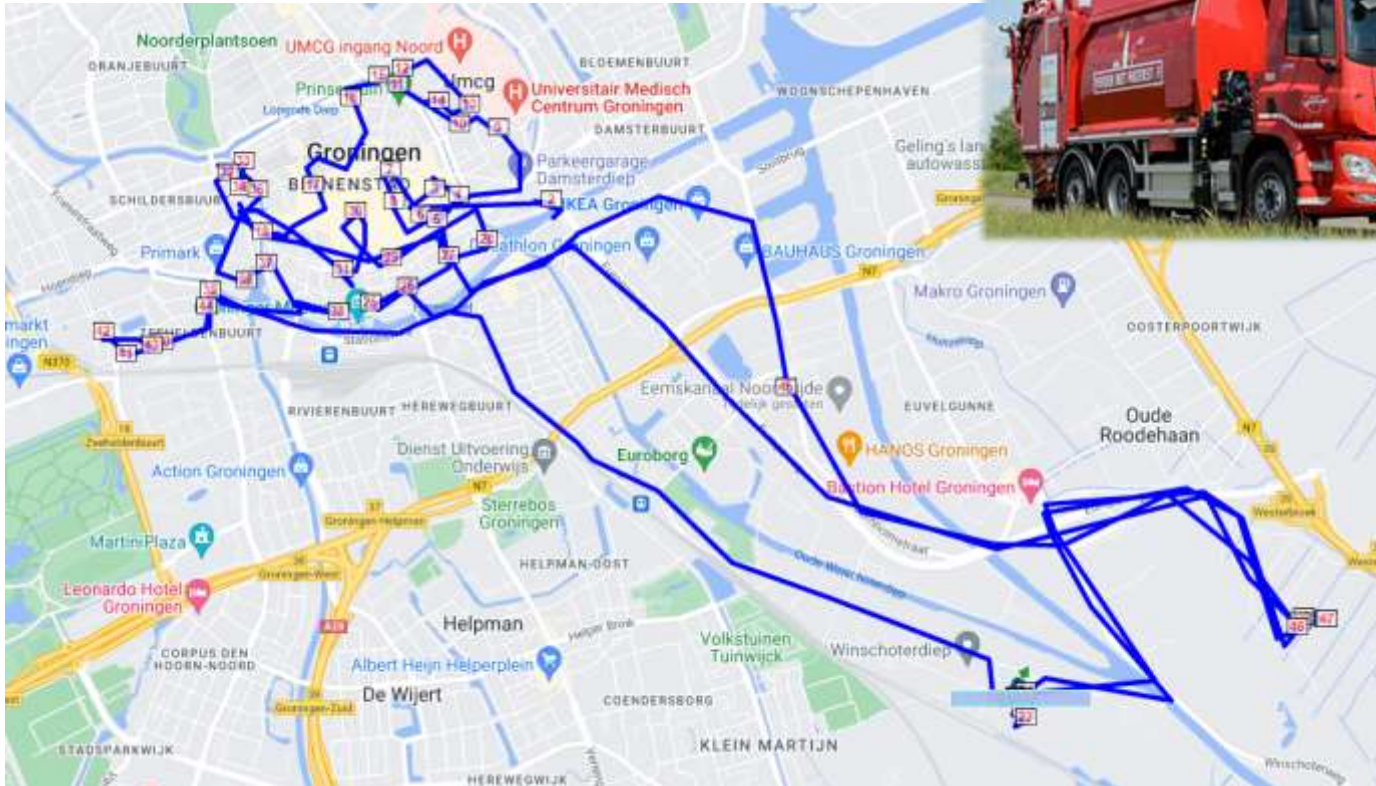
# Experiences with Hydrogen driven vehicles

## City of Arnhem



# Experiences with Hydrogen driven vehicles

## City of Groningen



## Available for rent







**E-TRUCKS EUROPE**

*driven by hydrogen*

**More information:**

[www.e-truckseurope.com](http://www.e-truckseurope.com)

[info@e-truckseurope.com](mailto:info@e-truckseurope.com)